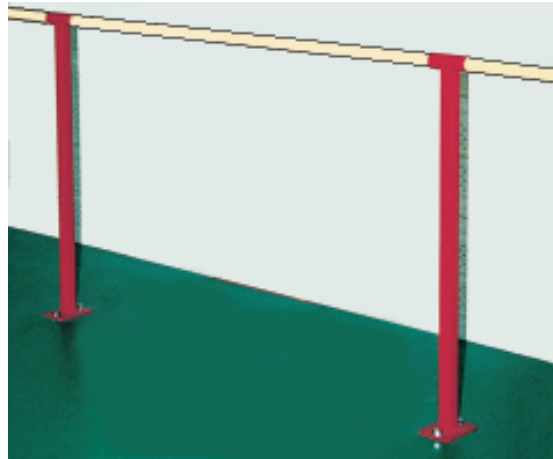


BALLET BARS M'2006

(WALL BRACKETS AND STANDING SUPPORT FRAME)

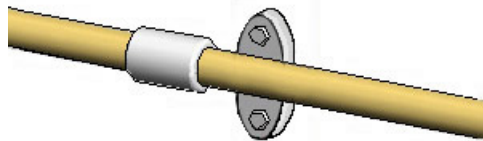
2220 + 2210C
2220 + 2212B
2220 + 2215B



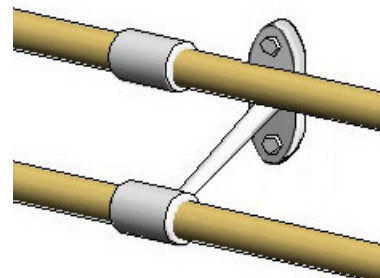
2220 + 2215B

KEEP THIS DOCUMENT

2220 + 2210C



2220 + 2212B

**Warning:**

This equipment should be installed by a qualified individual.
The apparatus should only be used under the supervision of a qualified individual.
Using this equipment for purposes other than those originally intended is not allowed.

Compliance:

This equipment complies with the requirements of the European standard EN 913 "Gymnastic equipment - General safety requirements and test methods".

Recommendations:

As shown in French Standard NF S 52-400 the following are recommended:

- keep these instructions for subsequent reference (inspection, maintenance, etc.).
- periodically carry out predictive maintenance.
- depending on how much it is used have the equipment serviced yearly or every few years.

Max. overall size:

- Width of floor fixed support frame plates: 150 mm (5.90 in)
- Distance between bars and wall: 150 mm (5.90 in)

Packaging:

- Wooden bar, $\varnothing 40$ (1.57 in) - Length: 1.60m (62.99 in) (**Unit Ref.: 2220**) \rightarrow 1 pack (Grouped per quantity)
Unit dimensions: $\varnothing 40 \times 1600$ mm (1.57 x 62.99 in) - Unit volume: 0.026 m³ (0.918 ft³) - Unit weight: 1.5 kg (3.31 lb)
- Simple wall bracket (**Ref.: 2210C**) \rightarrow 1 pack
Dimensions: 320 x 220 x 220 mm (12.60 x 8.66 x 8.66 in) - Volume: 0.015 m³ (0.530 ft³) - Weight: 0.25 kg (0.55 lb)
- Double wall bracket (**Ref.: 2212B**) \rightarrow 1 pack
Dimensions: 320 x 220 x 220 mm (12.60 x 8.66 x 8.66 in) - Volume: 0.015 m³ (0.530 ft³) - Weight: 0.45 kg (0.99 lb)
- Floor standing support frame (**Ref.: 2215B**) \rightarrow 1 pack
Dimensions: 1230 x 220 x 210 mm (48.43 x 8.66 x 8.27 in) - Volume: 0.057 m³ (2.013 ft³) - Weight: 5 kg (11.02 lb)

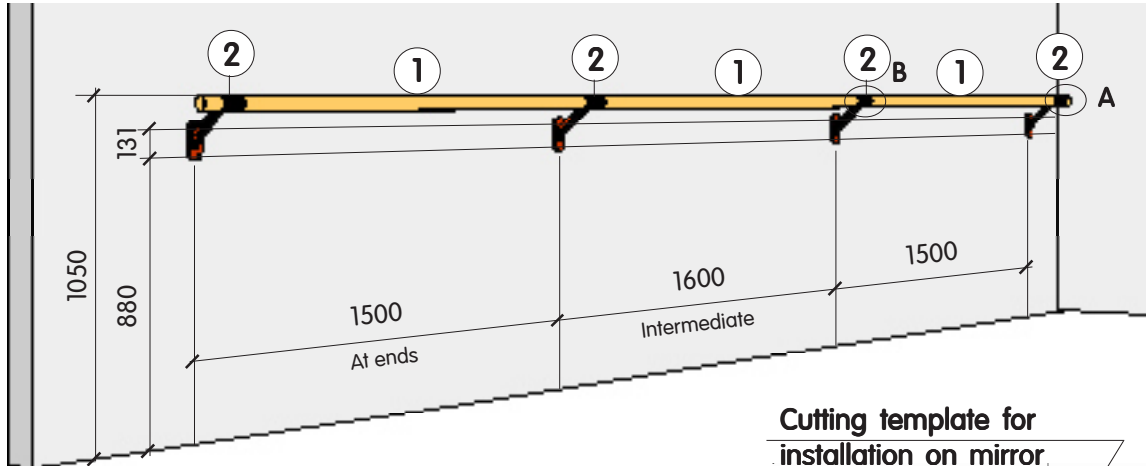
Maintenance:

Before each use, check the correct tightening of all attachment elements.

I. Preparing the wall attachments (Fig.: 1):

- 1/ Mark the distances between brackets (2) on the floor: 1500 mm (4.92 ft) at both ends, and 1600 mm (5.25 ft) in the center (intermediate brackets).
- 2/ On the wall, use a level to mark the height of attachments (2 parallel lines, spaced by 131 mm (0.43 ft)) used to secure the single or double brackets (2), 880 mm (2.89 ft) above the floor marks.
- 3/ Then, use a plumb wire, a meter rule and the level to plot a vertical line and define the exact position of attachments.

Figure 1



II. Installing the wall attachments (Fig.: 2):

Warning : fixations are not included in the wall brackets.

Note: When installing wall brackets (2) on a mirror, use the cutting template (scale 1) (see Fig. 2).

III. Installing and securing the ballet bars (Fig.: 1, 3 and 4)

Cutting template for installation on mirror

Figure 2

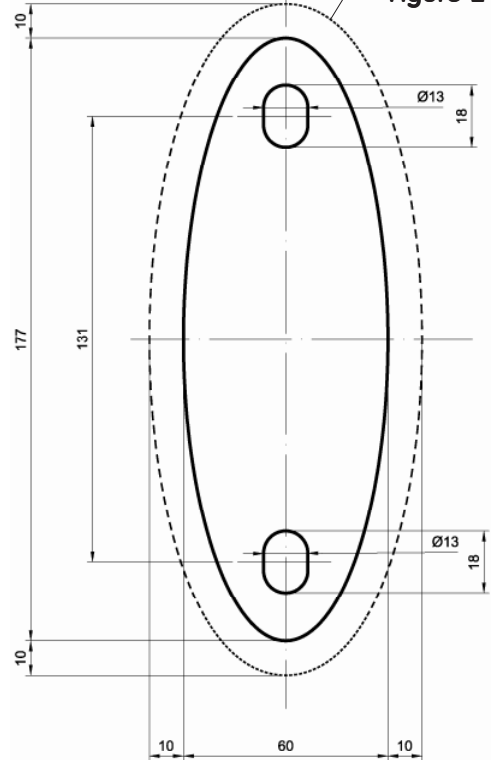
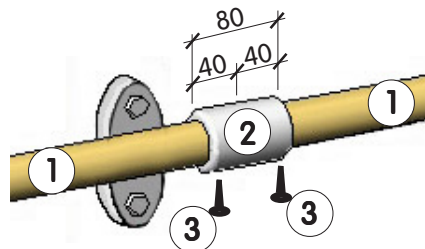
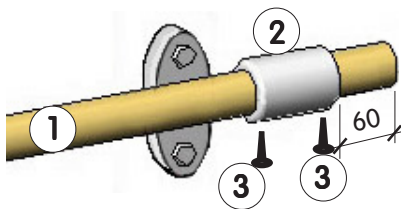


Figure 3 - End - Detail A

Figure 4 - Intermediate - Detail B

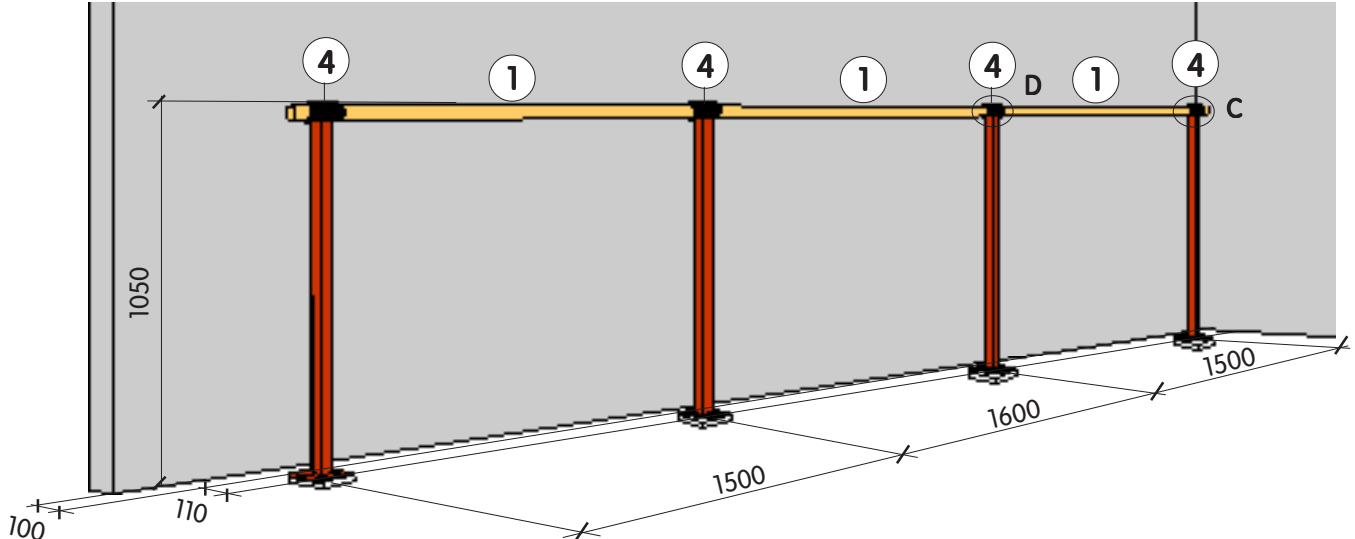


- 1/ First secure one end bracket (2) to the wall. Tighten as required by the type of wall support.
- 2/ Pre-install a second bracket (2) at the end of a wooden bar (1): insert it by 40 mm (1.57 in) (approx.), i.e. just in the center of the cylindrical section (see detail B - Fig. 4).
- 3/ Position, then slide the wooden bar (1) into the previously attached bracket (2), and let the end protrude by 60 mm (2.36 in) (see detail A - Fig. 4).
- 4/ Position the assembly (1)+(2), then secure the second bracket (2) to the wall, using the screws (4) and (5).
- 5/ Repeat operations 2/, 3/, and 4/, until the last bracket (2) is in place. Slide it over the last wooden bar (1) (the bar end should protrude by 60 mm (2.36 in)), and secure it to the wall (see detail A - Fig. 3).
- 6/ The wooden bars (1) are very slightly curved. For the assembly to be aligned with the wall (stand up in line), rotate each bar (1) until the convex part points downward (or upward).
- 7/ Finally, secure the wooden bar (1) under each end bracket (2), and 2 bars (1) per intermediate bracket (2), using the supplied self-drilling screws (3).

I. Preparing the floor attachments (Fig.: 5):

- 1/ Mark the distances between bracket support frames (4) on the floor: 1500 mm (4.92 ft) at both ends, and 1600 mm (5.25 ft) in the center (intermediate brackets).
- 2/ On the floor, mark the position of attachment elements (2 parallel lines, spaced by 110 mm (0.36 ft)), 100 mm (0.33 ft) apart from the wall, to which the standing support frames (4) will be secured.

Figure 5



II. Securing and installing the ballet bars on the floor (Fig.: 5, 6, 7 and 8) (2 individuals recommended):

- 1/ Drill two $\varnothing 12$ mm (0.47 in), 90 mm (3.54 in) deep holes, spaced by 110 mm (0.36 ft), along the plot of each bracket support frame (2) (see Fig. 6).
- 2/ Vacuum clean the dust.
- 3/ First position one bracket support frame (4) onto the plot, at one end.
- 4/ Install 2 washers (6). Hammer the expansion bolts (5) supplied, through both washers (6) and the bracket support frame (4) plate.
- 5/ Moderately tighten the bolts (5).
- 6/ Slide one wooden bar (1) through the previously attached bracket support frame (7), and let the end protrude by 60 mm (2.36 in) (Fig. 8).
- 7/ Slide the second support frame (4) at the end of the wooden bar (1) already in place: insert it by 40 mm (1.57 in) (approx.), i.e. just in the center of the cylindrical section (see Fig. 7).
- 8/ Repeat operations 4/ and 5/ to install the second support frame (4).
- 9/ Pre-install a second wooden bar (1) onto the next support frame (1): insert it by 40 mm (1.57 in) (approx.).
- 10/ Position, then slide the assembly (1) through the previous support frame (4).
- 11/ Repeat operations 9/, and 10/, until the last support frame (4) is in place. Slide it over the last wooden bar (1) (the bar end should protrude by 60 mm (2.36 in)), and secure it to the floor, using the screws (5) and (7).
- 12/ The wooden bars (1) are very slightly curved. For the assembly to be aligned with the wall (stand up in line), rotate each bar (1) until the convex part points downward (or upward).
- 13/ Tighten the attachment elements (5) of the support frames (4) on the floor: tightening torque is 23 Nm (see Fig. 6).
- 14/ Secure the wooden bars (1) onto the support frames (4) from below: 1 at each end, and 2 intermediate (4) using the wood screws (7) (see Fig. 7 and 8).

Figure 6

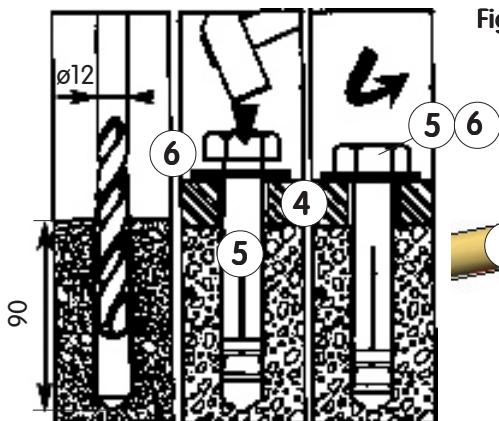


Figure 7 - Intermediate - Detail D

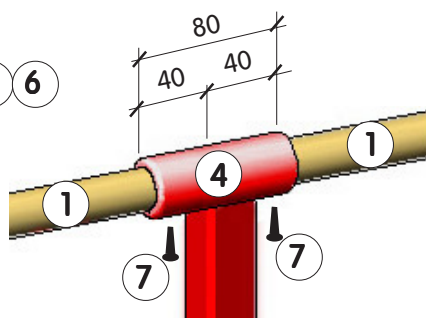
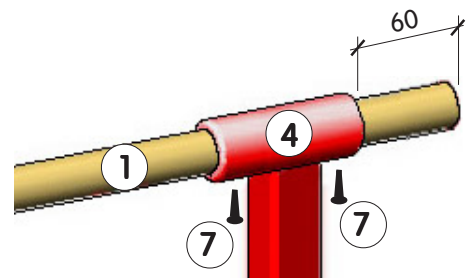
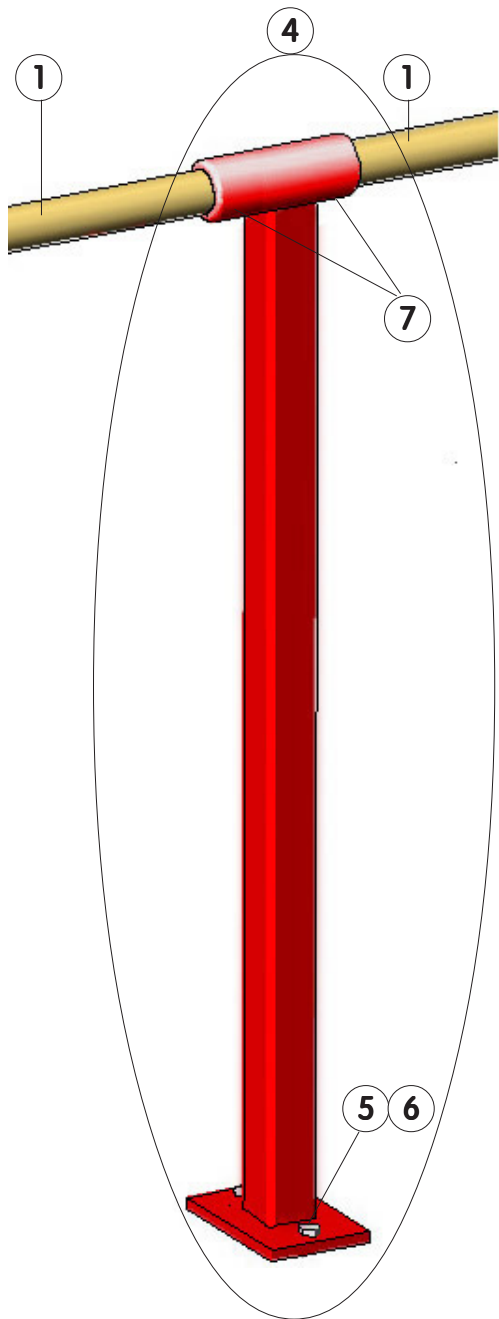


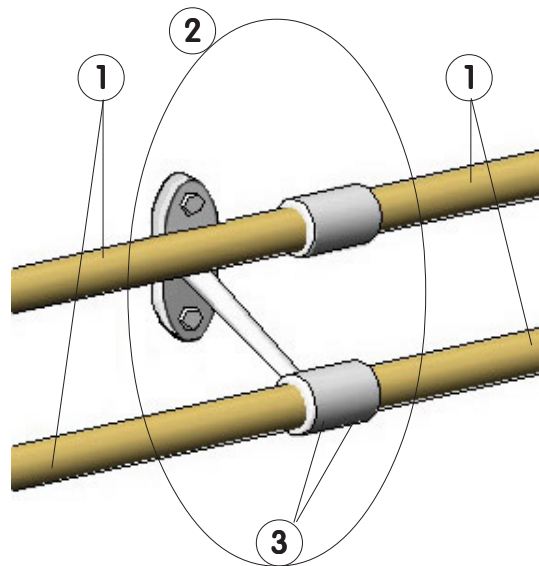
Figure 8 - End - Detail C



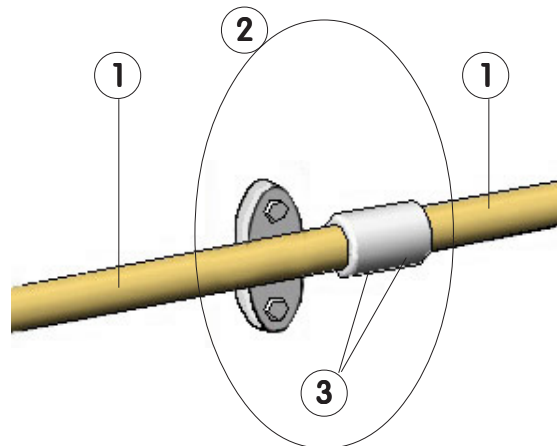


Standing support frame for floor bracket

To order spare parts, provide the description, part no., and delivery date of the entire apparatus.



Double wall bracket



Single wall bracket

29	-			-	-
28	-			-	-
27	-			-	-
26	-			-	-
25	-			-	-
24	-			-	-
23	-			-	-
22	-			-	-
21	-			-	-
20	-			-	-
19	-			-	-
18	-			-	-
17	-			-	-
16	-			-	-
15	-			-	-
14	-			-	-
13	-			-	-
12	-			-	-
11	-			-	-
10	-			-	-
9	-			-	-
8	-			-	-
7	2	FBZ 4.8 x 25 wood screw	VTBZ4825OZ	each	
6	2	M12 x 27 flat washer	VRP01227OZ	each	
5	2	M10 expansion bolt	QCHESPMG08	each	
4	1	Standing Support Frame/bracket, on floor	2215B	each	
3	-	ø4.8x32 self drilling screw	VWZ048032A	each	
2	1	Double wall bracket	2212A	each	
2	1	Single wall bracket	2210B	each	
1	-	Wooden bar, ø40, 1.60 m long	2220	each	
REP	NBR	DESIGNATION	REFERENCE	OBSERVATION	

GYMNOVA

45 RUE GASTON DE FLOTTE
13012 MARSEILLE
Tél. : 33-(0)-4-91-87-51-20
Fax : 33-(0)-4-91-93-86-89

BALLET BARS M'2006

(WALL BRACKETS AND
STANDING SUPPORT FRAME)

PAR : M.CHARB

LE : 30/04/15

NM28F

Ref.: 2220 - 2210C - 2212B - 2215B

THIS DOCUMENT IS THE PROPERTY OF GYMNOVA, IT IS CONFIDENTIAL AND SHALL NOT BE REPRODUCED WITHOUT PRIOR AUTHORIZATION