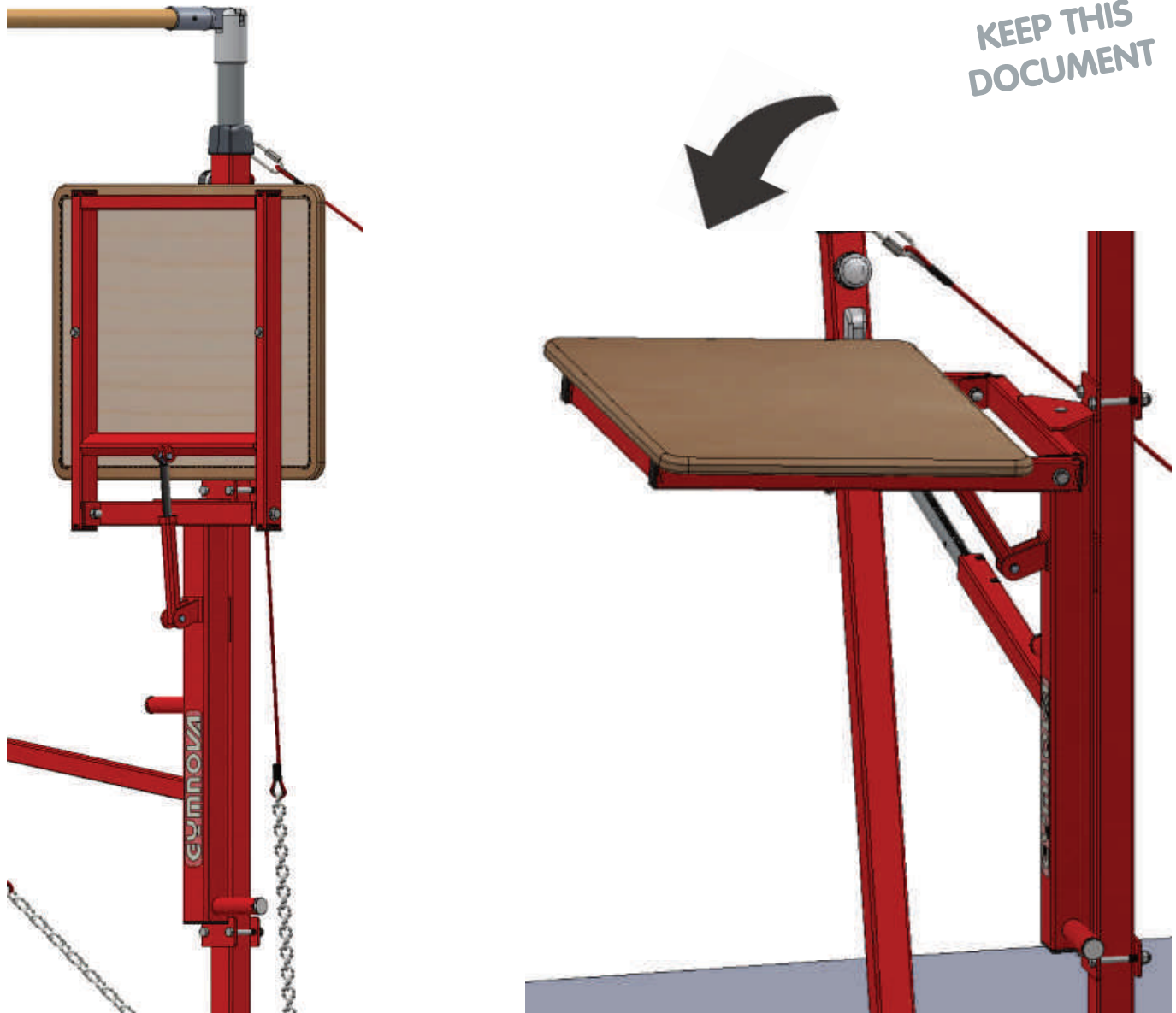


**REMOVABLE ACCESS PLATFORM
TO UNEVEN PARALLEL BARS M'2012****2720C****Warning:**

This equipment should be installed by a qualified individual.
The apparatus should only be used by one person at a time, under the supervision of a qualified individual.
Using this equipment for purposes other than those originally intended is not allowed.
It is strictly prohibited for more than one person to stand on the platform, and to bounce on it.

Recommendations:

As shown in French Standard NF S52-400 the following is recommended:

- keep these instructions for subsequent reference (inspection, maintenance, etc.).
- periodically carry out predictive maintenance.
- depending on how much it is used, have the equipment serviced yearly or every few years.

Packaging:

- 1 standing board pack (Ref.: 272/11):
Dim.: 860 x 710 x 20 mm Volume: 0.012 m³ Weight: 6 kg
- 1 platform pack without board (Ref.: 2720/40):
Dim.: 1580 x 600 x 220 mm Volume: 0.21 m³ Weight: 19 kg

I. Assembly (minimum of two people required):

Note: Prepare a clean area for assembling the apparatus.

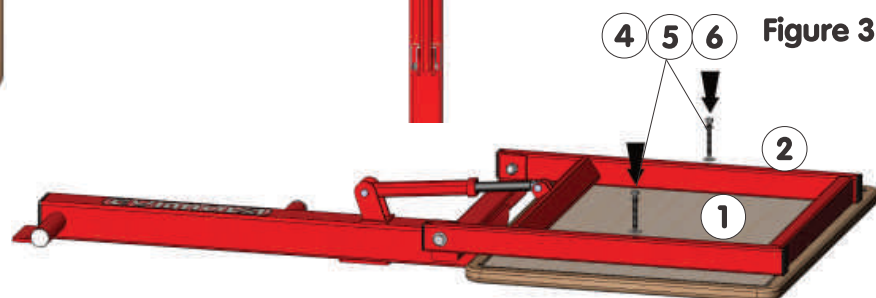
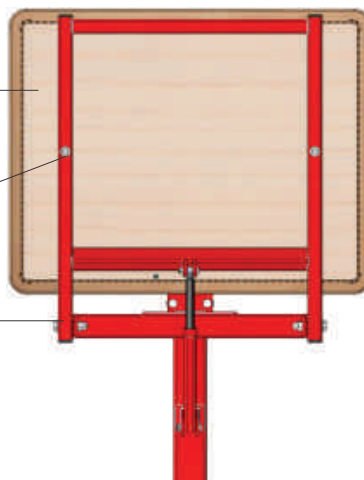
1 - Installing the board (1) onto the rocking frame (2):

- Select the board (1) attaching direction (lengthwise like Fig. 1 or widthwise like Fig. 2), depending on the requirement.
- Secure it using screws (4) + (5) + (6) like Fig. 3.

Figure 1



Figure 2



2 - Installing the platform onto the apparatus upright (upper upright on uneven parallel bars with stays, or onto the ring frame Ref.: 3700):

- **Important:** this equipment should never be installed on rounded uprights. You are strongly advised against installing it onto the high bar for training (Ref.: 3120G - 3125G), as the platform restricts the useful adjustment range of the apparatus.
- Position and hold the platform at the desired height against the apparatus upright like Fig. 4.
- Fix the assembly using the tightening plates (7) and screws (8), (17) and (9) like Fig. 5 & 6: moderately tighten to prevent distorting the apparatus upright.

Figure 4

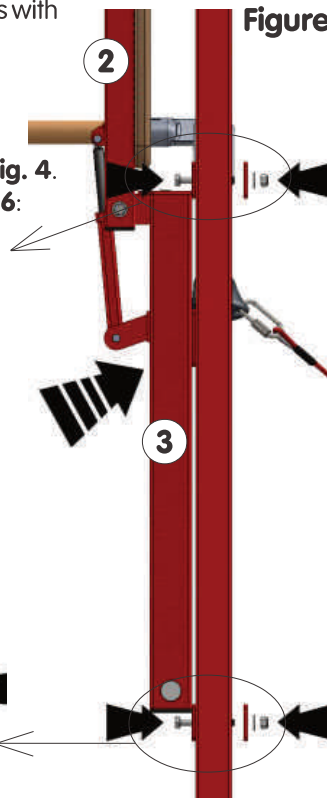


Figure 5

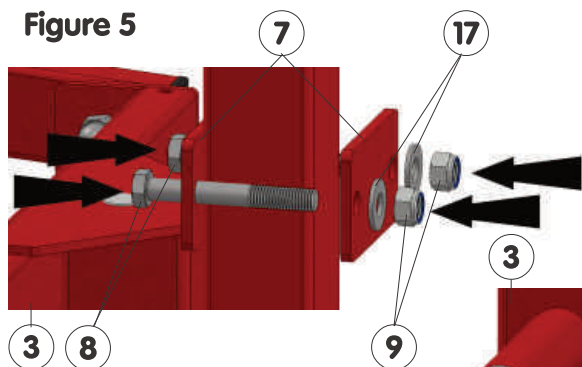
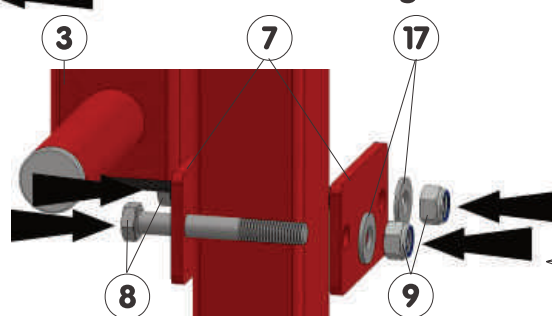


Figure 6



II. Maintenance:

- 1 - A regular cleaning of the apparatus allows better viewing of the problems, if any (distortion, breakage, or corrosion).
- 2 - Before use, check wear parts each time for good condition and operation: cylinder (12), stop tube (11) and standing board (1), as well as presence of endpieces (19), (20) and (21).
- 3 - Check the correct tightening of all attachment elements.
- 4 - **Important:**
 - If a problem is detected or suspected, do not use the equipment as long as it has not been checked by a technician.
 - Any damaged or distorted piece should be replaced as soon as possible.

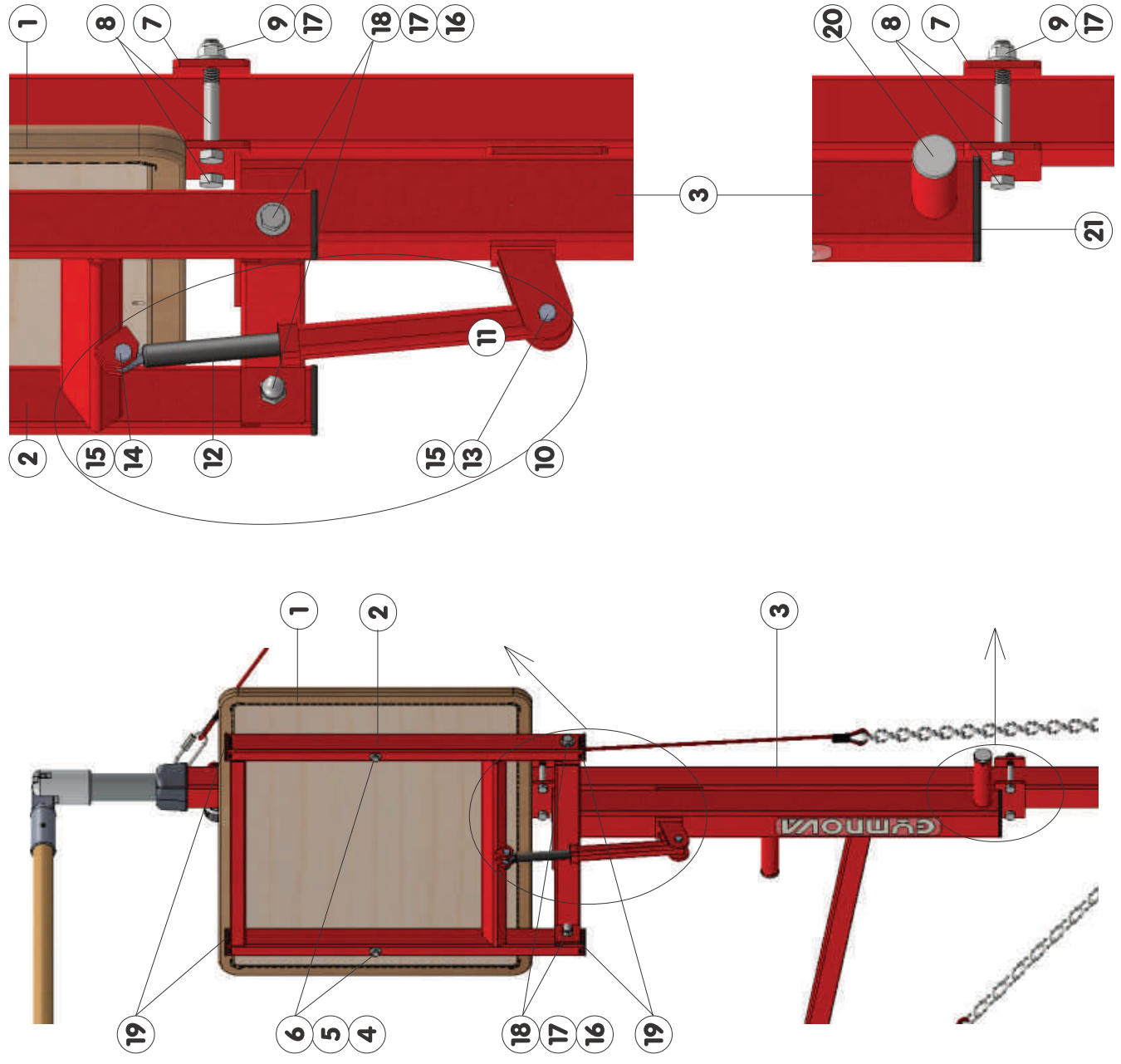
III. Storage:

Always store the equipment away from humidity and heat.

ITEM	QTY	DESCRIPTION	REFERENCE	REMARKS
30	-	-	-	-
29	-	-	-	-
28	-	-	-	-
27	-	-	-	-
26	-	-	-	-
25	-	-	-	-
24	-	-	-	-
23	-	-	-	-
22	-	-	-	-
21	1	70 x 70 Finned endpiece	QEPA7070NO	standing support frame
20	2	ø35 Finned endpiece, white	QEPA0035BC	standing support frame
19	4	50 x 30 Finned endpiece	QEPA5030NO	rocking frame
18	2	HM12 Cap Nut	VEBR12000Z	-
17	6	M12 x 27 flat washer	VRP012270Z	-
16	2	HM12 x 55 PF screw	VH0012055Z	-
15	2	M8 H locknut	-	Included in 10
14	1	HM8 x 40 PF screw	-	Included in 10
13	1	HM8 x 50 PF screw	-	Included in 10
12	1	750N gas cylinder	-	Included in 10
11	1	Cylinder stop tube	-	Included in 10
10	1	Spare Cylinder + tube	2700/35	spare kit
9	4	M12 H locknut	VEHF12000Z	-
8	4	HM12 x 90 PF screw	VH0012090Z	-
7	2	Tightening plate	-	-
6	2	8 x 14 external tooth lock washer	VREE08140Z	Included in 1
5	2	L8 x 22 flat washer	VRP008220Z	Included in 1
4	2	M8 x 65 H screw	VH0008065Z	Included in 1
3	1	Platform standing support frame	-	-
2	1	Rocking frame	-	-
1	1	Standing board	272/11	pack

Gymnova
 RUE GASTON DE FLOTTE
 13012 MARSEILLE
 Tél. : 33-(0)-4-91-87-51-20
 Fax : 33-(0)-4-91-93-86-89

BY : J.BRIOT DATE : 05/03/13 NM53F Ref. : 2720C
 THIS DOCUMENT IS THE PROPERTY OF GYMNOVA. IT IS CONFIDENTIAL AND SHALL NOT BE REPRODUCED WITHOUT PRIOR AUTHORIZATION.



To order spare parts, provide the description, part no., and delivery date of the entire apparatus.